

construction process

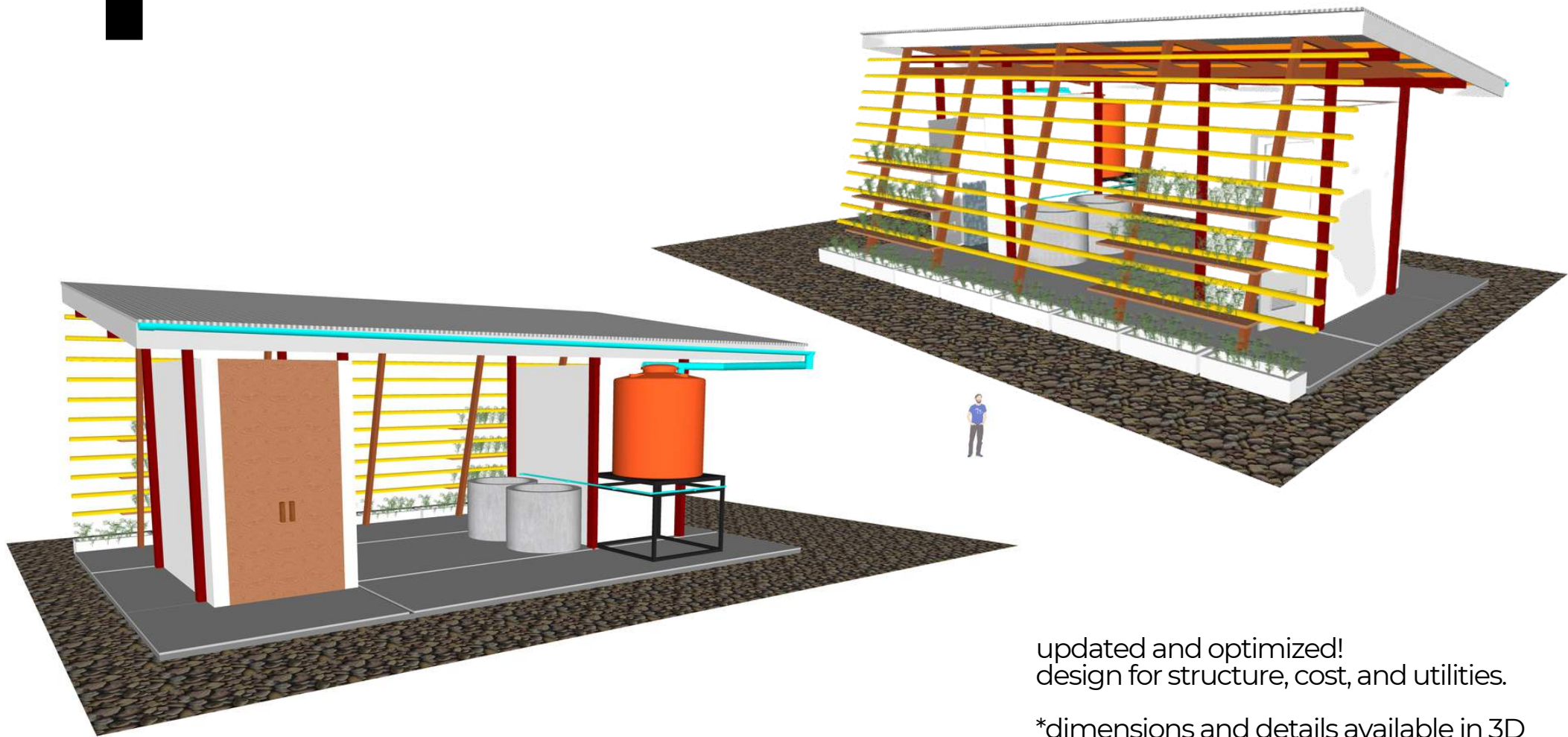


toilet and water facility



top view
public toilet and wash area

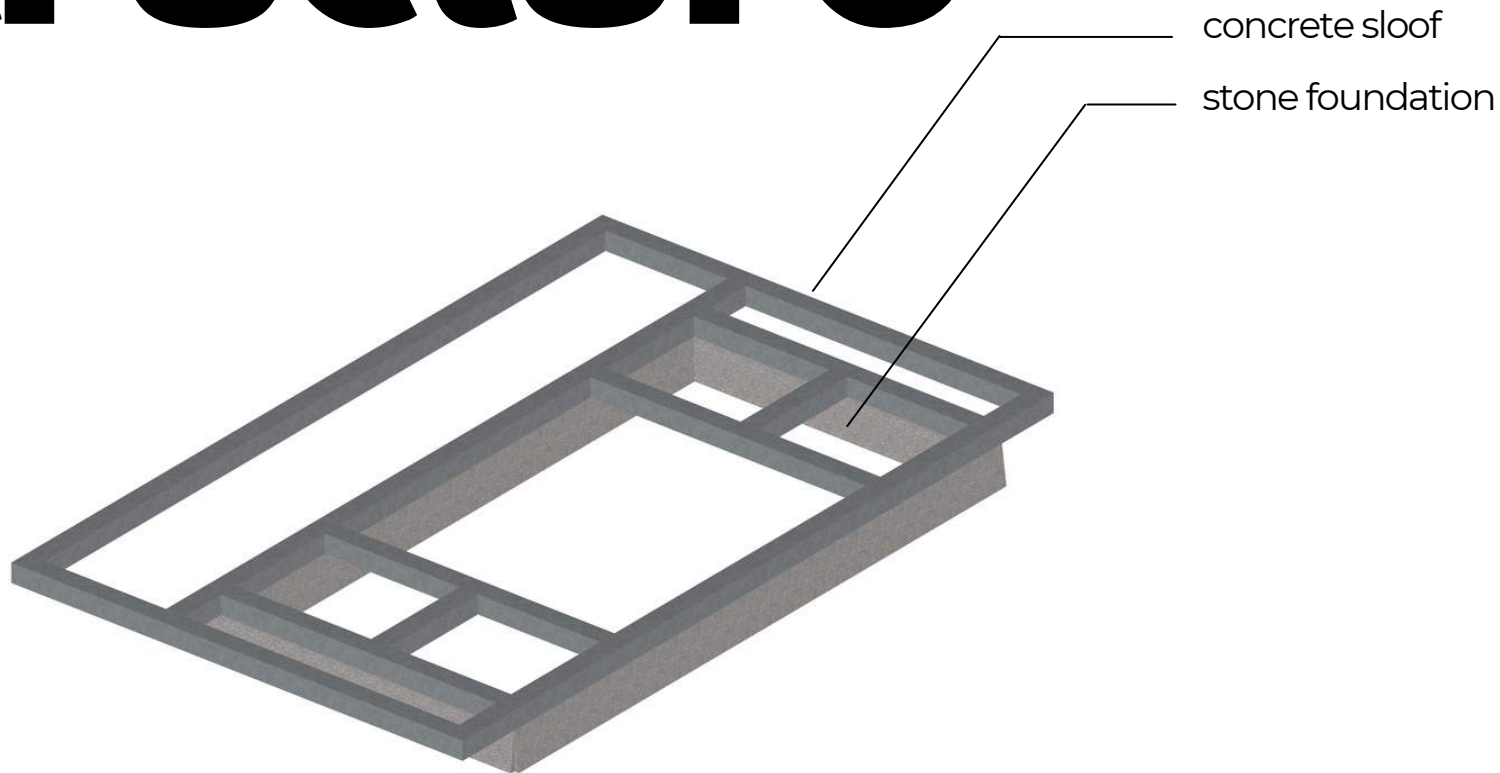
spacious & updated



updated and optimized!
design for structure, cost, and utilities.

*dimensions and details available in 3D

base structure

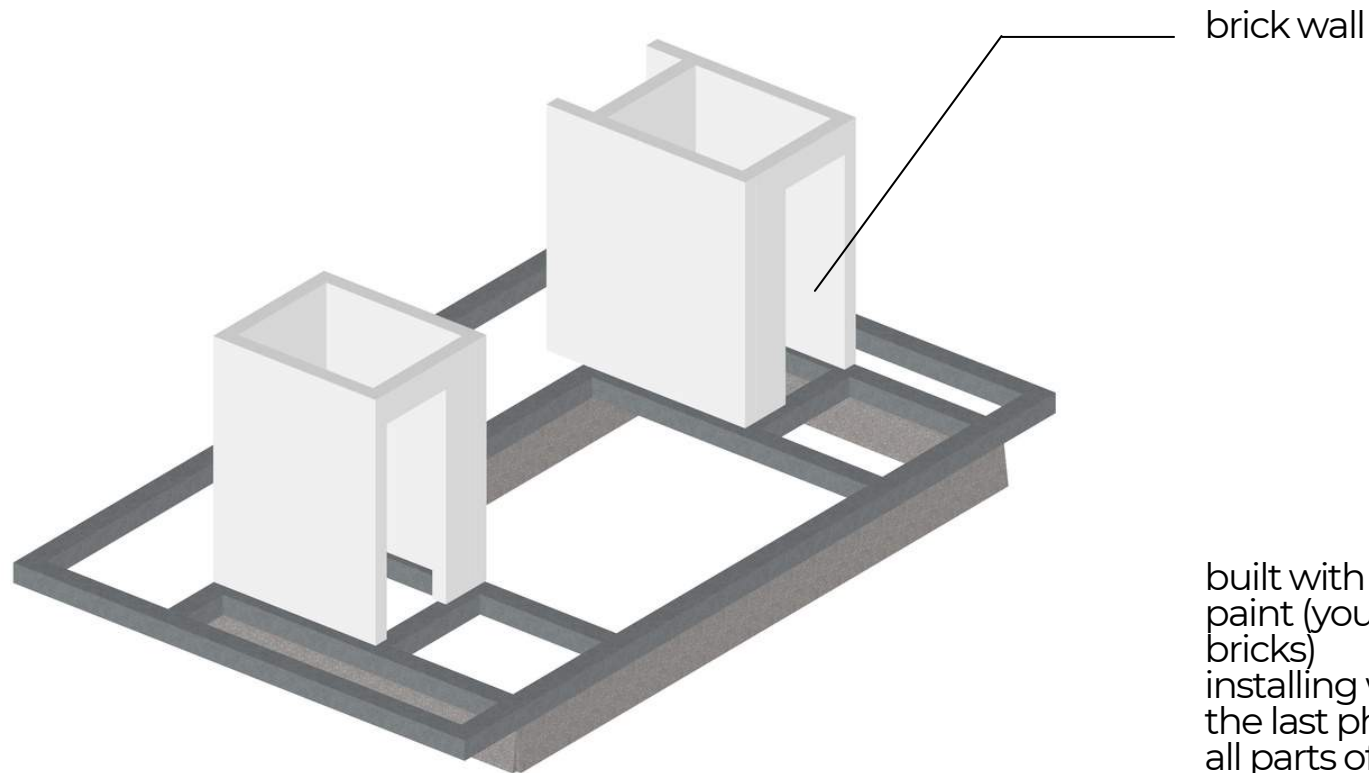


stone foundation is only built under the perimeter of area with wall (toilet).

continued with installing sloof, to lock the floor and other part of the building.

*dimensions and details available in 3D

the wall



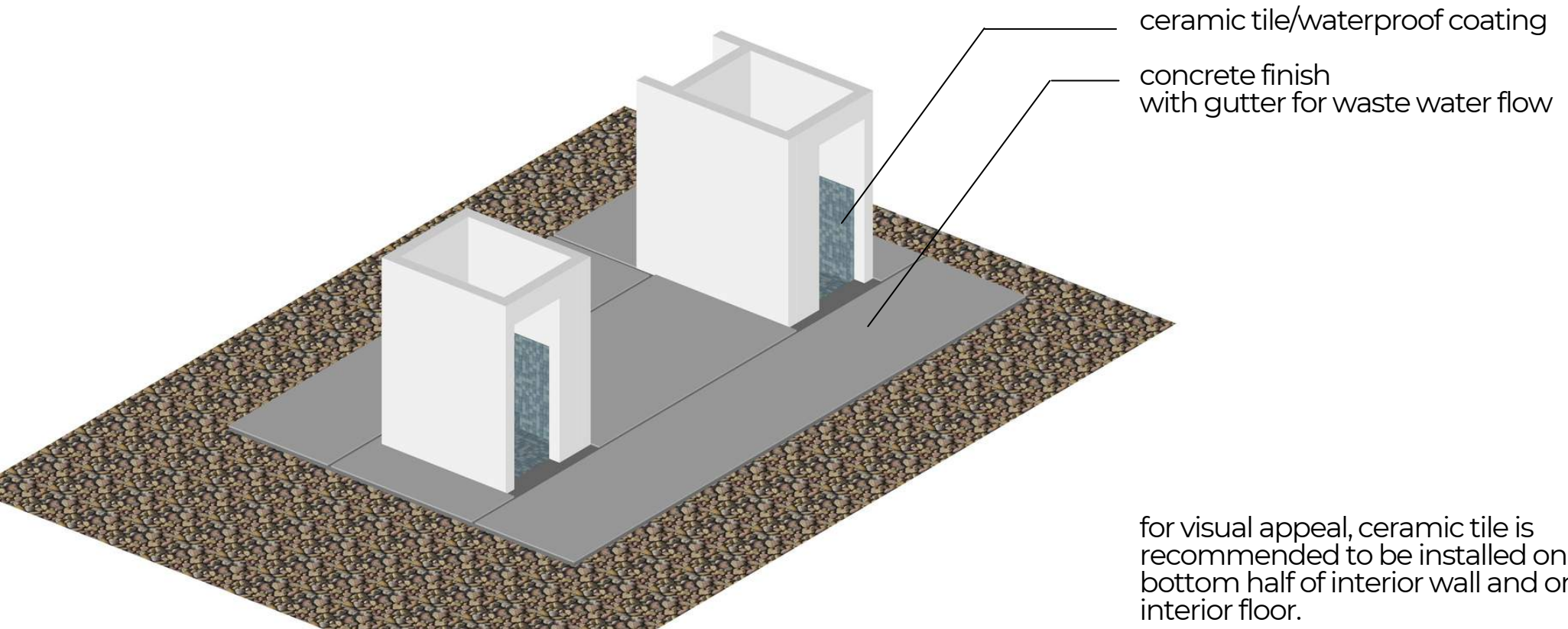
brick wall

built with bricks, and coated with white paint (you can experience the texture of bricks)
installing wall paint to be scheduled in the last phase of the construction, after all parts of the building is finished being installed.

installation of piping for septic tank, and other plumbing system is being done in this phase.

*dimensions and details available in 3D

flooring

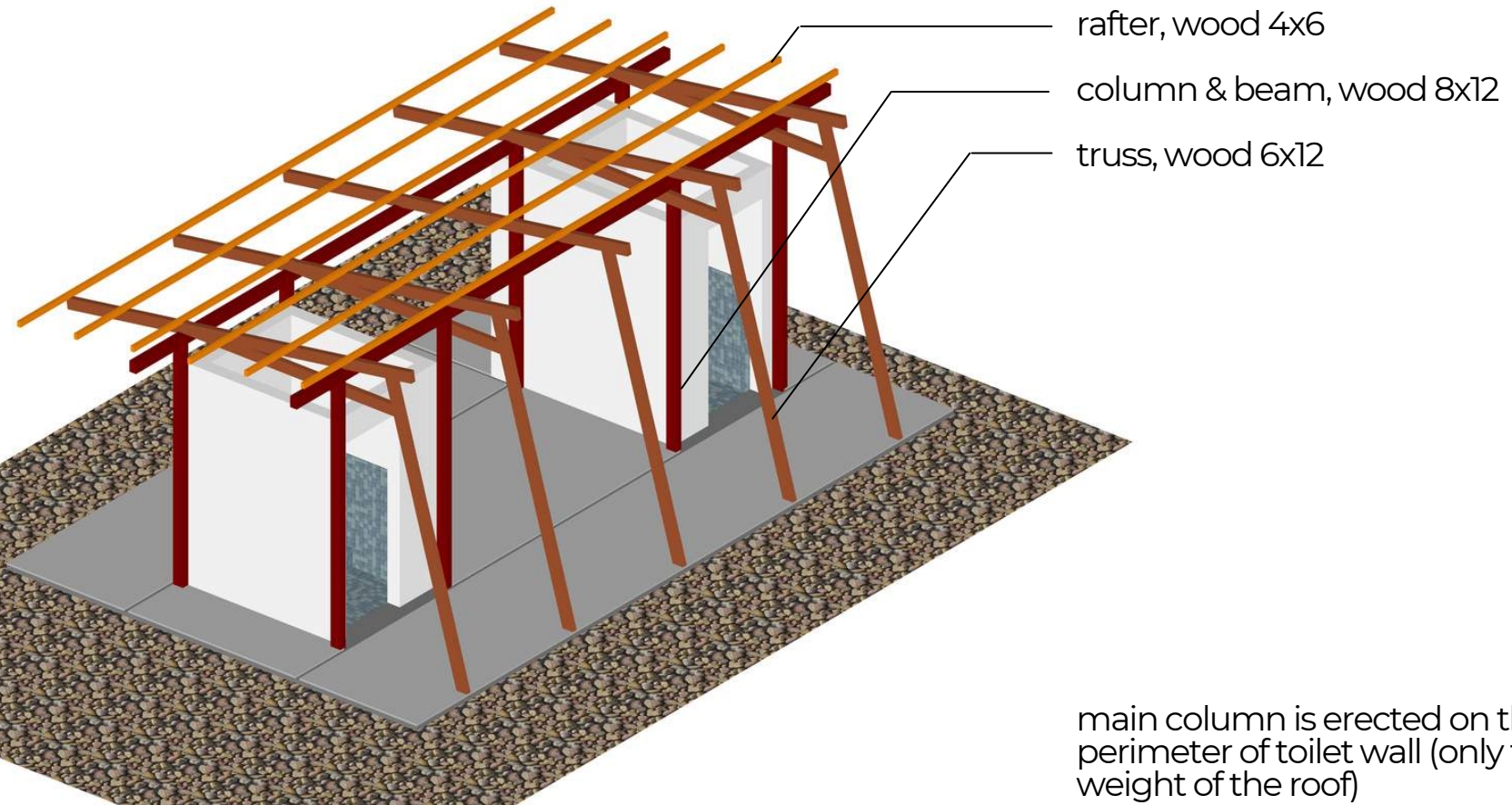


for visual appeal, ceramic tile is recommended to be installed on bottom half of interior wall and on the interior floor.

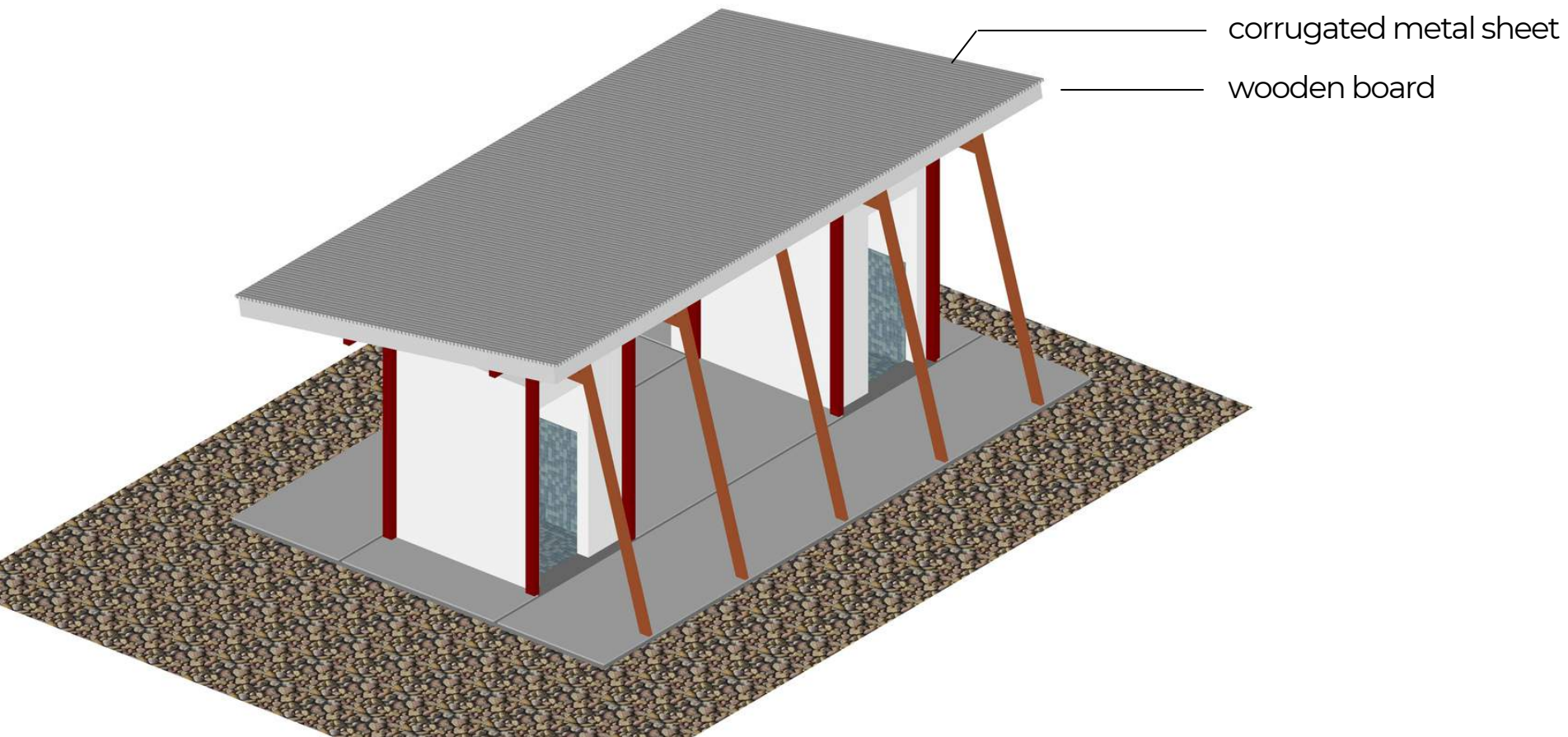
a less expensive alternative would be using waterproof coating on bottom half of the interior wall and floor.

*dimensions and details available in 3D

structure



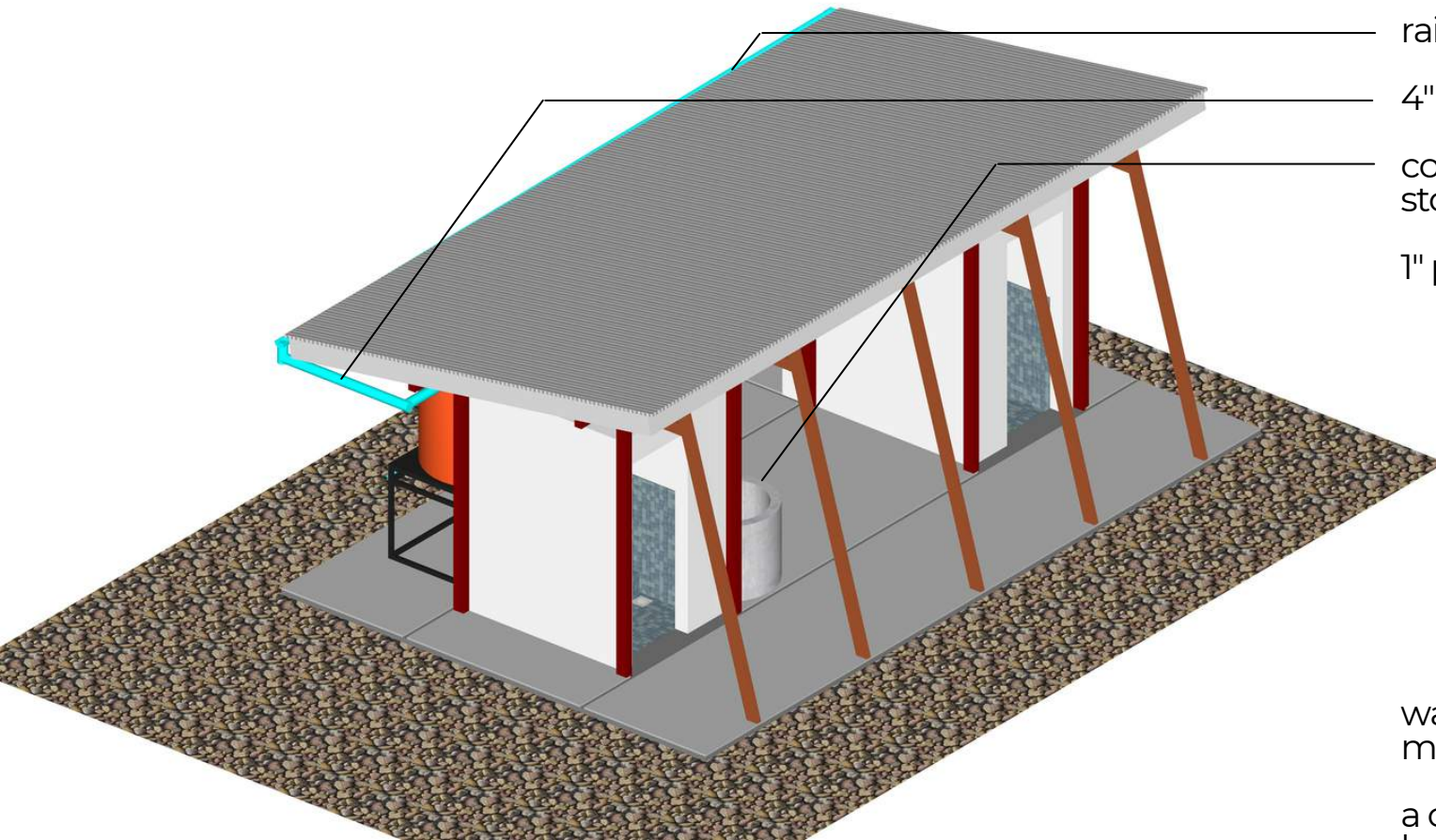
the roof



roof-edge border built with wooden board 1~2cm thick.

*dimensions and details available in 3D

plumbing



rain gutter

4" pipe, from gutter to water-tank

concrete cylinder for additional water storage

1" pipe, from water-tank to faucets:
2 faucets inside the toilets
3 faucets for wash area

water-tank base/feet built with welded metal

a cheaper alternative would be using brick, installing walls for the base and wooden board for the counter-top
other option for the counter top is using concrete with metal skeleton

*dimensions and details available in 3D

the doors



cupboard for janitor

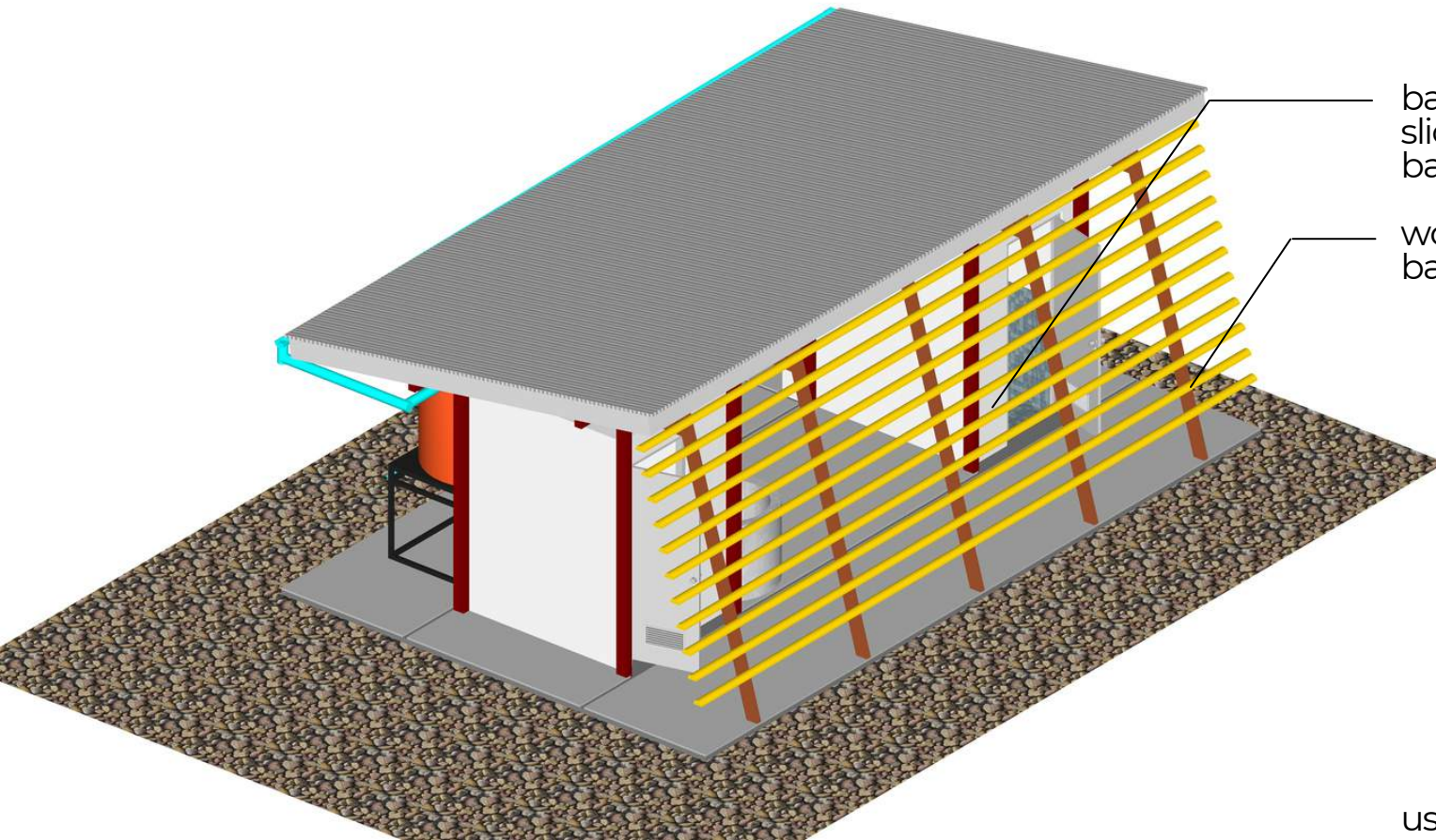
toilet door
swings open to the outside (pull to enter)

toilet doors:
time priority alternative:
plastic door, store bought
cost priority alternative:
door frame, wood 5x10
door structure, wood 4x6
cover, corrugated metal sheet
slot lock for security

janitor cupboard
door structure, wood 4x6
cover, plywood or
corrugated metal sheet
shelving, wooden board 3cm thick
padlock for security

*dimensions and details available in 3D

facade



bamboo, diameter 10cm
slice into two
bamboo skin to be directed upwards

wooden bracket
bamboo to truss beam joint

use nut&bolt to join bamboo with wood
to keep bamboo from breaking and
filled with water (dangerous)

or use roof nails.

*dimensions and details available in 3D

seeds & plants



on ground, concrete vase

seeds rack

for seed rack,
use wooden board 3cm thick as
shelving
connect the bracket to truss beam.

for seed bowls,
use store-bought plastic tray
or use egg crates (more eco-friendly!)

*dimensions and details available in 3D

salam super

and
thank you.

